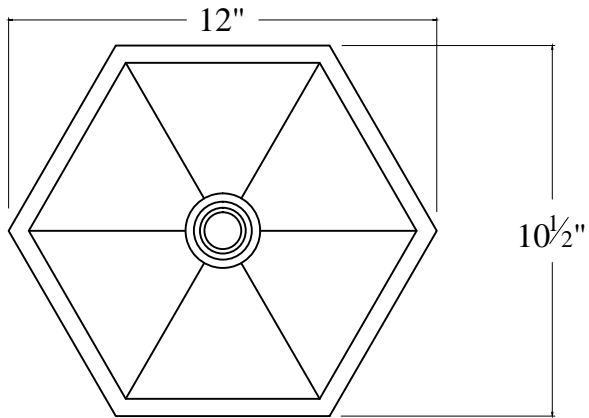
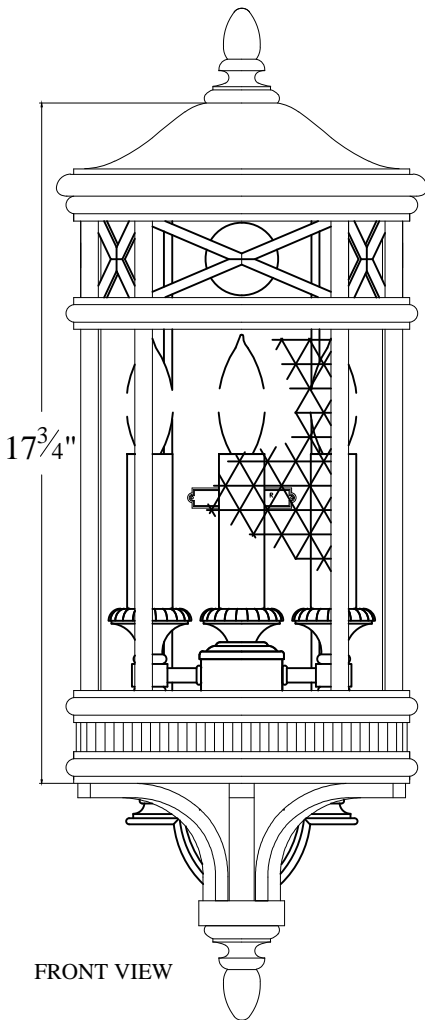


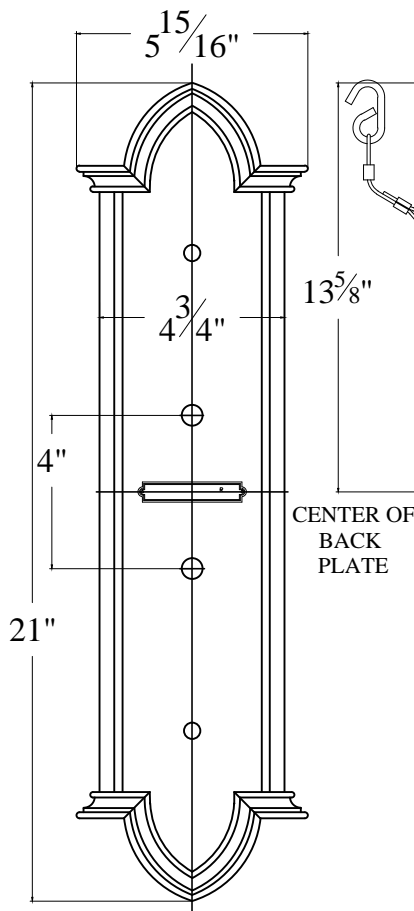
CUSTOMER REFERENCE DRAWING



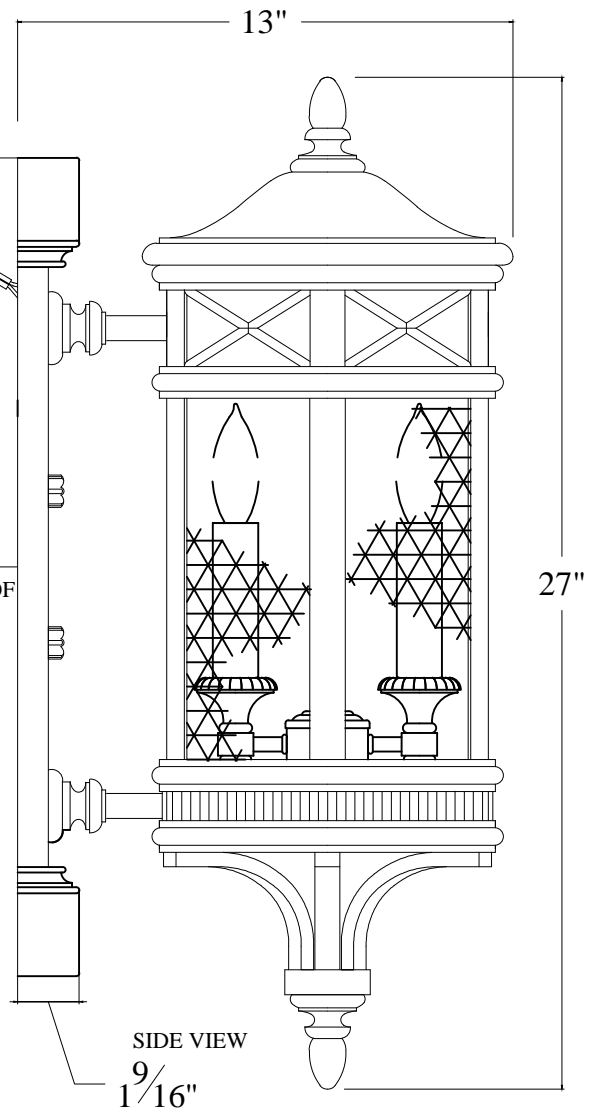
TOP VIEW



FRONT VIEW



BACK PLATE FRONT VIEW



SIDE VIEW