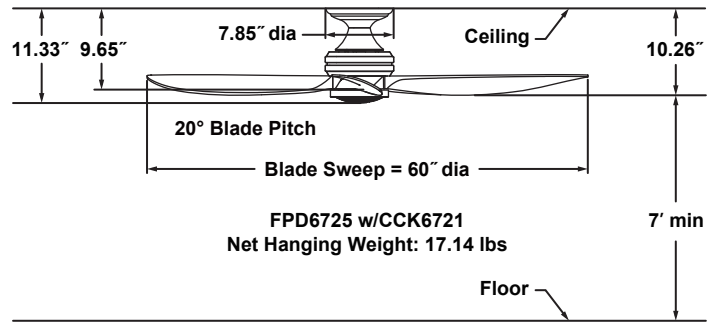
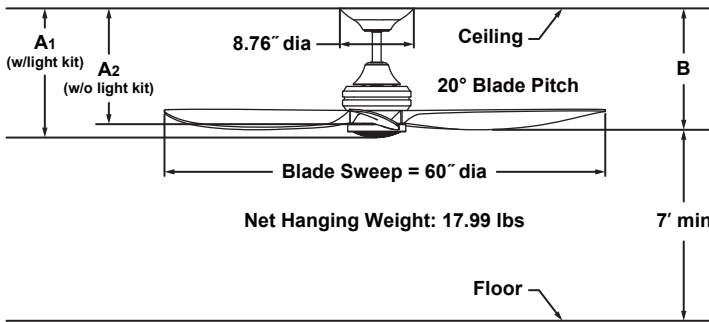


AVIARA™

FPD6725**

60" Ceiling Fan



INSTALLATION REQUIREMENTS:

Fan must be attached to a securely anchored electrical junction box capable of withstanding a load of at least 35 lbs.

ELECTRICAL REQUIREMENTS:

Requires a grounded electrical supply line of 120 volts AC, 60 Hz, 15 amp circuit.

MOTOR SPECS:

DC153 x 22 sensorless DC motor is designed for optimal performance with this fan.

BLADE SET:

A set of three 29" paulownia blades is included.

CONTROL OPTIONS:

A WiFi receiver and TR360 hand-held remote control are included. Push button remote control with 6 fan speeds, fresh air, reverse, ON/OFF dimmer light levels, CCT Select (correlated color temperature selection), fan/light timer, home away, safe exit and off button. Visit the Apple APP Store or Google Play Store to download the free fanSync WiFi APP and create your Fanimation fanSync account. Optional TW406 wall control is available — sold separately. Instructions are provided with each control.

LIGHTING OPTIONS:

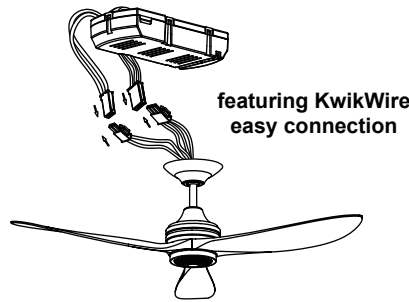
One 18-watt CCT LED (Warm/Soft/Bright/Cool/Daylight) included.

DOWNROD OPTIONS:

Fan comes with a 1" dia. x 6" long downrod. Optional downrods are available in 12", 18", 24", 36", 48", 60" and 72" lengths. A downrod coupler is available for installations requiring a downrod longer than 72". Fan can be mounted on a sloped ceiling up to 27°. Most sloped ceiling installations require a standard 18" downrod or longer downrod. Optional sloped ceiling ball kits (SCB1-52) are available for slope angles greater than 27° and up to 42°. Optional close-to-ceiling kit (CCK6721) is available as well — sold separately. Call technical support for more information.

LOCATION USE:

Fan is rated for dry and damp locations. This fan is for room over 400 sq ft.



	A1	A2	B
Fan w/6" downrod	15.43"	13.55"	14.34"
Fan w/12" downrod	21.43"	19.55"	20.34"
Fan w/18" downrod	27.43"	25.55"	26.34"
Fan w/24" downrod	33.43"	31.55"	32.34"
Fan w/36" downrod	45.43"	43.55"	44.34"
Fan w/48" downrod	57.43"	55.55"	56.34"
Fan w/60" downrod	69.43"	67.55"	68.34"
Fan w/72" downrod	81.43"	79.55"	80.34"

Available Finishes	
BL	Black with Black Blades and Fresnel & Frosted PC Lenses / Steel Cap
BLK	Black with KOA Blades and Fresnel & Frosted PC Lenses / Steel Cap
BNK	Brushed Nickel with KOA Blades and Fresnel & Frosted PC Lenses / Steel Cap
BSMW	Brushed Satin Brass with Matte White Blades and Fresnel & Frosted PC Lenses / Steel Cap
MW	Matte White with White Washed Blades and Fresnel & Frosted PC Lenses / Steel Cap

Airflow / Energy Efficiency Info (120V)					
Fan Speed	Max RPM	CFM	CFM / Watts	Amps	Watts
High (6 th)	160	8008	242	0.50	33
Med (4 th)	118	5723	438	0.21	13
Low (1 th)	51	2472	785	0.06	3

Energy Guide FTC			
Power (W _{ave})	Total Air Delivery (CFM _{ave})	Estimated Yearly Energy Cost (\$)	Ceiling Fan Efficiency (CFM/W)
22	5413	6	249

Fan Velocity (FPM)	
High Speed Velocity	Average Velocity
569	373

Lighting Information (120V)					
Light Bulb	Lumens Amount	Delivered Lumens	Color Temp	CRI	Shade/Glass type
18W CCT LED	1600	448/460/486/502/500	Warm/Soft/Bright/Cool/Daylight	90%	Frosted PC lens
18W CCT LED	1600	962/985/1041/1073/1073	Warm/Soft/Bright/Cool/Daylight	90%	Fresnel PC lens