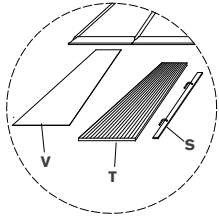


## ASSEMBLY INSTRUCTIONS

### AM & MG Option



### CG Option

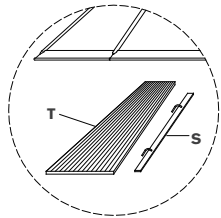


Diagram 1

### WG Option

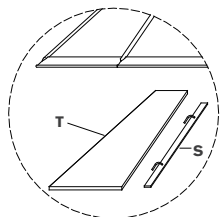
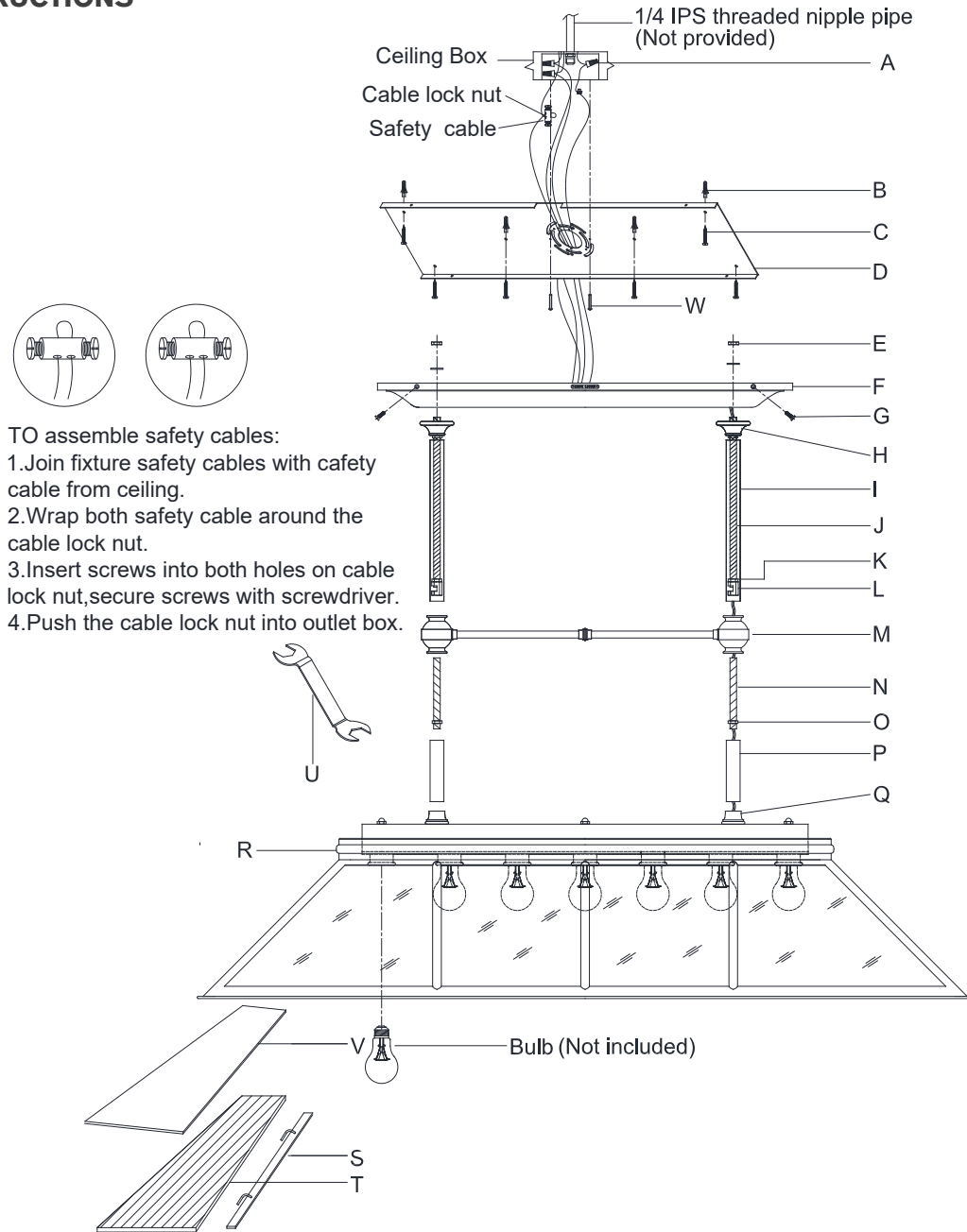


Diagram 2

#### TO assemble safety cables:

1. Join fixture safety cables with safety cable from ceiling.
2. Wrap both safety cable around the cable lock nut.
3. Insert screws into both holes on cable lock nut, secure screws with screwdriver.
4. Push the cable lock nut into outlet box.



## Rivington Large Billiard Pendant

Item # RL 5067-AM & RL 5067-MG

### NOTICE:

This light fixture should be installed in accordance with all applicable, local installation codes, and by a person familiar with the construction and operation of it, as well as the hazards involved. Inspect item and contents carefully. If any damage or defect is found, do not install. Retain all packaging material until installation is complete and approved.

1. Carefully remove all parts from the box.
2. Remove the mounting plate (D) from the canopy (F) by loosening side screws (G).
3. Drill 6 holes on the ceiling and make sure the distance will match to the holes in the mounting plate (D) exactly.
4. Knock the anchors (B) into the ceiling holes.
5. Install the mounting plate (D) to the ceiling with mounting screws (C) & (W) provided.
6. Insert the threaded pipe (N) with a nut on bottom into the fixture assembly (O) and tighten.
7. Use wrench (U) to tighten the nut (O), slip the center tube (P) and metal part (M) down the threaded pipe (N).
8. Let the tube (I) pass through the threaded pipe (J).
9. Thread the hickey (L) to the threaded pipe (N) until tight.
10. Attach the canopy (F) to the collar (H), let the threaded pipe (J) pass through the holes in the canopy, and tighten nut (E) with wrench (U).
11. Fit the metal panels (V) & glass panels (T) to the inside of fixture body (R) and secure it with metal bars (S).

**Note:** CG & WG installation as show in diagram 1 & 2.

12. Connect the fixture ground (bare) wire with the ground wire from the outlet box using wire nut (A). If your house does not have ground wire, then attach this wire to the green grounding screw inside of the outlet box.

IT IS IMPERATIVE THAT THIS FIXTURE BE GROUNDED.

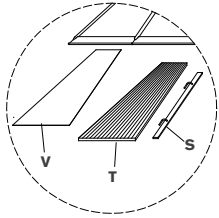
13. Connect the fixture Neutral wire (ribbed, no markings) with the neutral wire from the outlet box using wire nut (A).

# RALPH LAUREN



## ASSEMBLY INSTRUCTIONS

### AM & MG Option



### CG Option

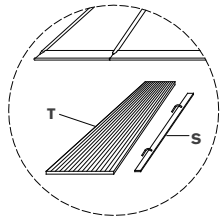


Diagram 1

### WG Option

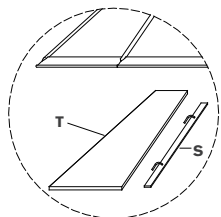
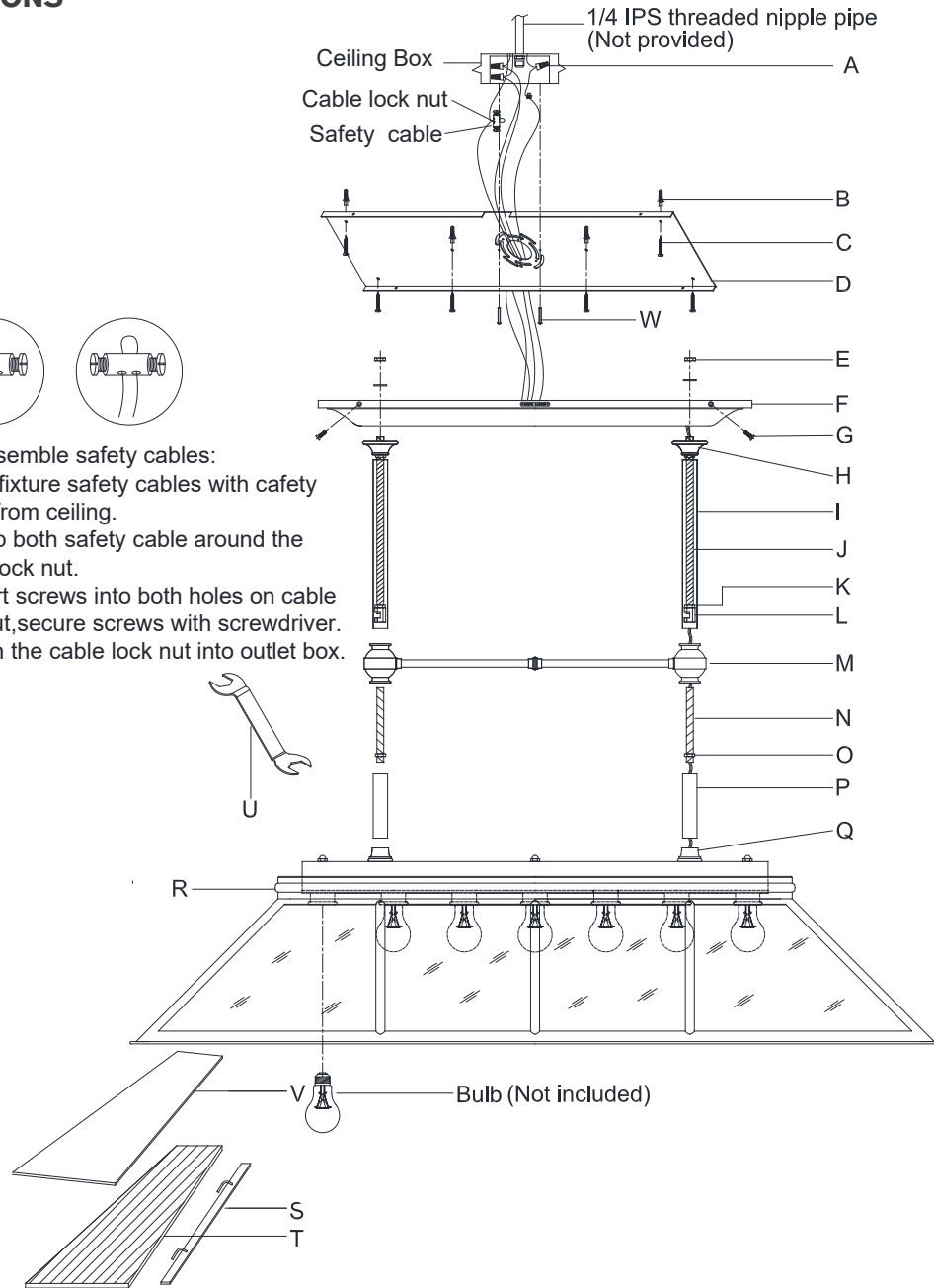
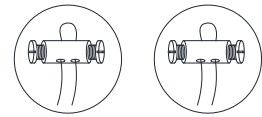


Diagram 2

TO assemble safety cables:

1. Join fixture safety cables with safety cable from ceiling.
2. Wrap both safety cable around the cable lock nut.
3. Insert screws into both holes on cable lock nut, secure screws with screwdriver.
4. Push the cable lock nut into outlet box.



## Rivington Large Billiard Pendant

Item # RL 5067-AM & RL 5067-MG

### NOTICE:

This light fixture should be installed in accordance with all applicable, local installation codes, and by a person familiar with the construction and operation of it, as well as the hazards involved. Inspect item and contents carefully. If any damage or defect is found, do not install. Retain all packaging material until installation is complete and approved.

14. Connect the fixture Hot (smooth edge, markings) wire with the hot wire from the outlet box using wire nut (A).
- DO NOT REVERSE THE HOT AND NEUTRAL CONNECTIONS OR SAFETY WILL BE COMPROMISED.
15. Tuck these wire connections neatly into the outlet box to secure.
16. Attach the fixture body (R) to the mounting plate (D) and secure with side screws (G).
17. Insert bulbs (not included) into the sockets.
18. Installation is complete, turn on power at fuse or circuit breaker.

Care Instructions: Clean only with a soft dry cloth or feather duster. Do not use abrasive or chemical agents.

# RALPH LAUREN

