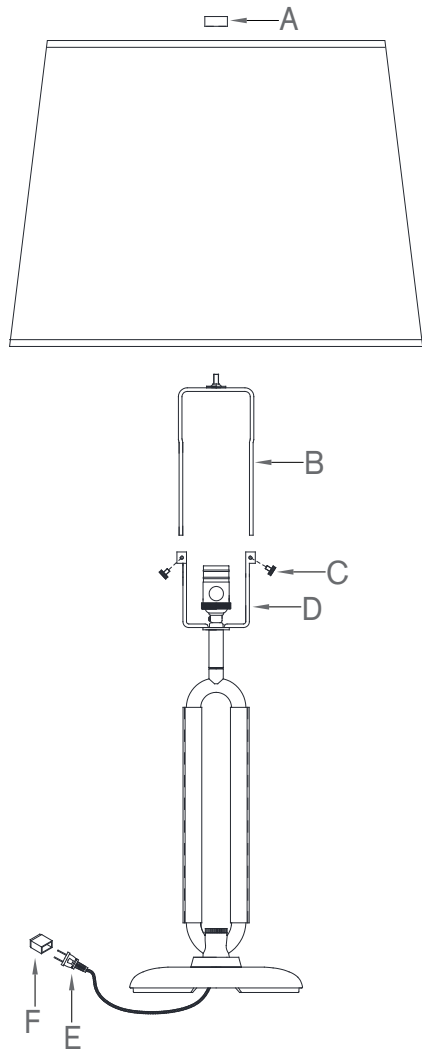


ASSEMBLY INSTRUCTIONS



Cody Medium Table Lamp

Item # RL3533

NOTICE:

This light fixture should be installed in accordance with all applicable, local installation codes, and by a person familiar with the construction and operation of it, as well as the hazards involved. Inspect item and contents carefully. If any damage or defect is found, do not install. Retain all packaging material until installation is complete and approved.

1. Carefully remove all parts from the carton.
2. Loosen thumbscrews (C), insert harp (B) into the horn (D), secure with thumbscrews (C).
3. Remove finial (A) from harp (B), place lamp shade (packed separately) over the bolt attached on top of harp (B). Screw finial (A) onto the bolt to secure lamp shade to harp (B).
4. Insert light bulb into the socket.
5. Remove plastic cover (F) from electrical plug (E).
6. Plug lamp into wall outlet.

ADJUSTMENT INSTRUCTIONS

1. Loosen thumbscrews (C) at both sides horn (D).
2. Adjust harp (B), up or down, to get desired height. Harp (B) should not be exposed out shade.
3. Carefully tighten thumbscrews (C) on horn (D).

Care Instructions: Clean only with a soft dry cloth or feather duster. Do not use abrasive or chemical agents.

RALPH LAUREN

