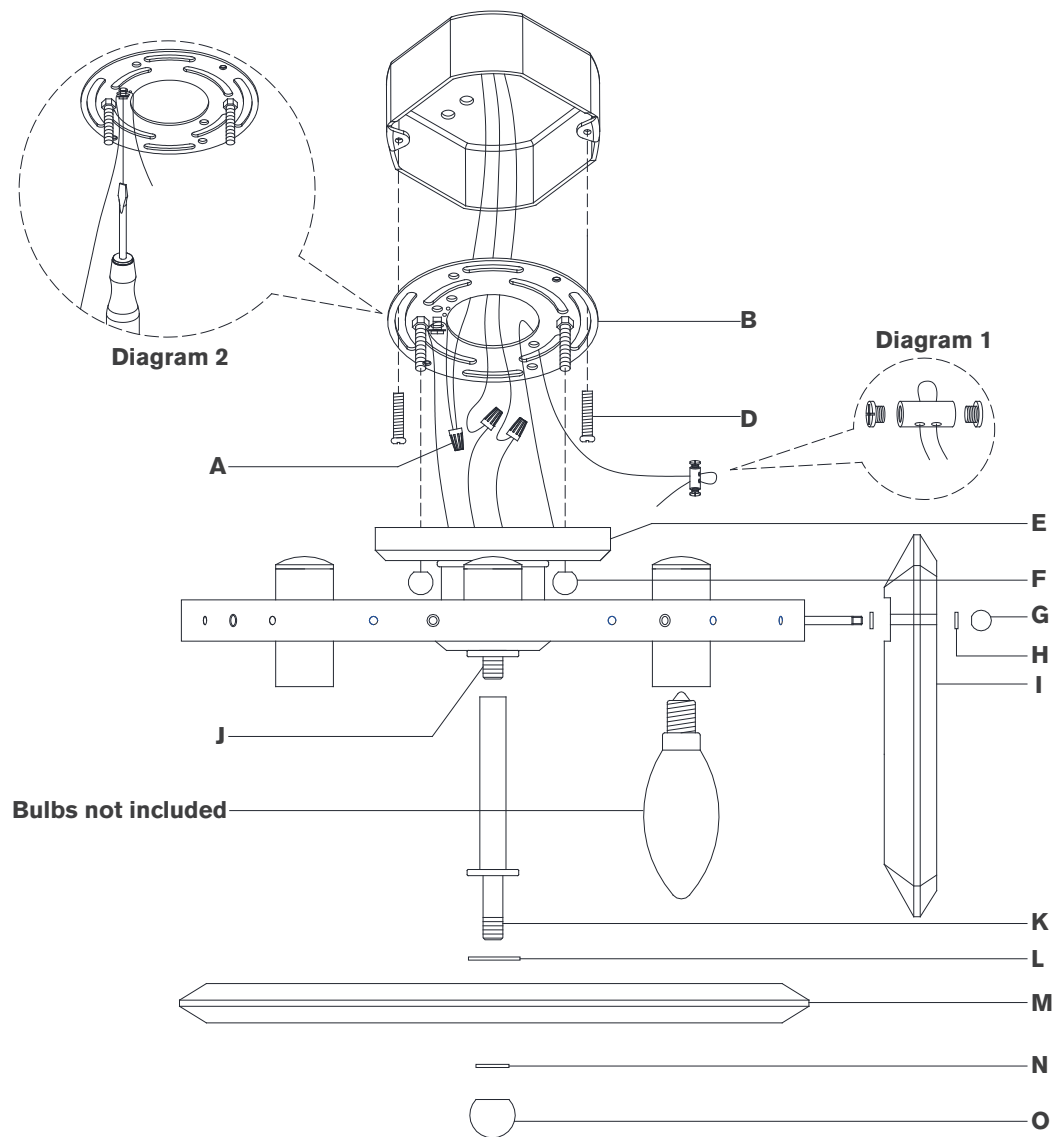


ASSEMBLY INSTRUCTIONS



Bonnington Small Flush Mount

Item # ARN 4124

NOTICE:

This light fixture should be installed in accordance with all applicable, local installation codes, and by a person familiar with the construction and operation of it, as well as the hazards involved. Inspect item and contents carefully. If any damage or defect is found, do not install. Retain all packaging material until installation is complete and approved.

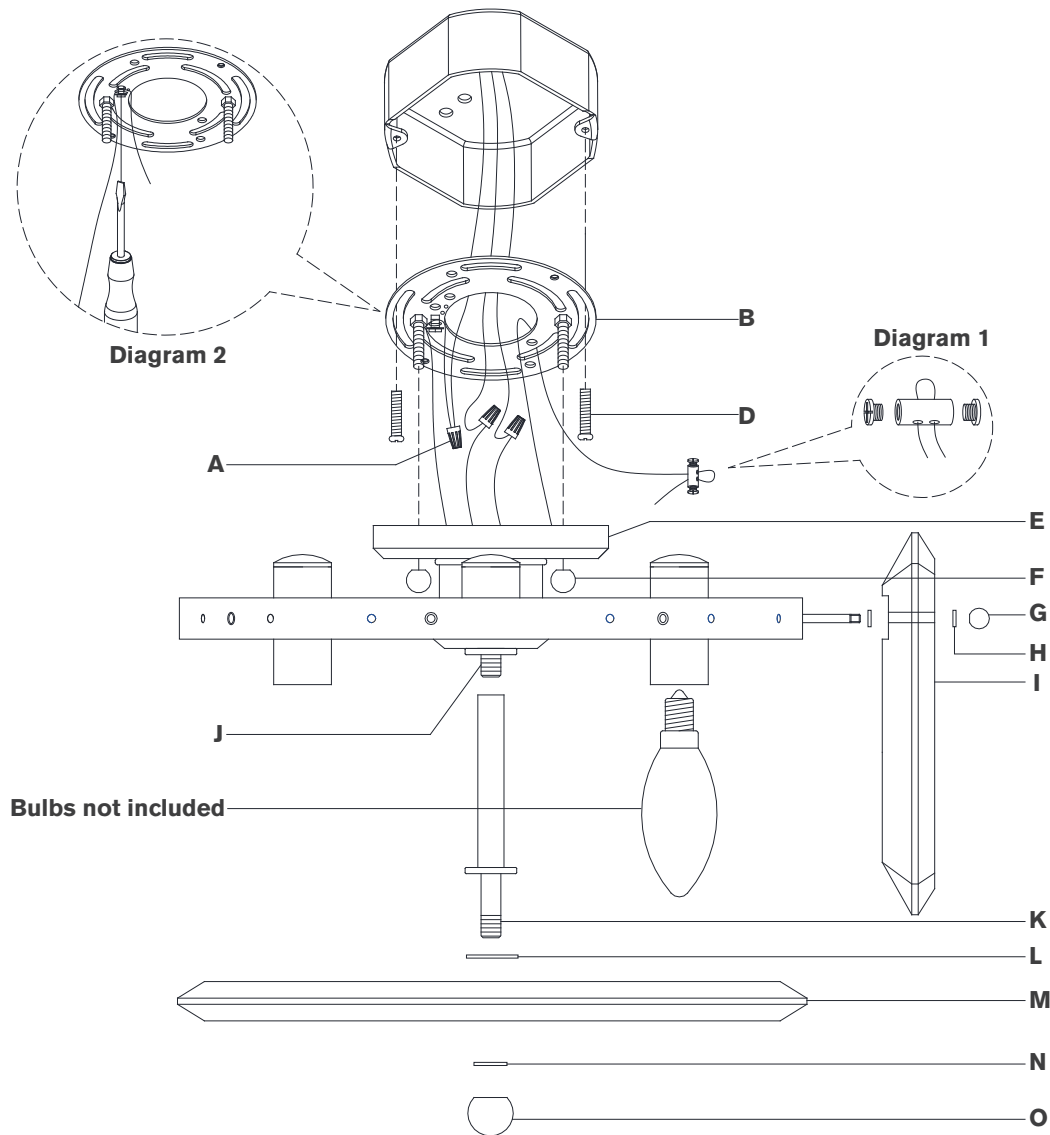
TOOLS REQUIRED (NOT INCLUDED):

Phillips Screwdriver Slotted Screwdriver

- Carefully remove all parts from the box. Place on a clean, soft surface.
- Remove mounting plate (B) from fixture body (E) by removing threaded caps (F).
- Install mounting plate (B) to the junction box and secure with mounting screws (D).
- Run support cable through hole on back of mounting plate (B). Loosen cable lock and install to end of support cable. Insert cable through the other side of cable lock and tighten ends with a screwdriver to secure. (See diagram 1)
- Attach rubber washers (H) to each side of the crystal drops (I), then install to fixture body (E) and secure threaded caps (G).
- Cut excess wire, being sure to leave enough to reach the junction box. Separate wires, and strip insulation on each 5/8".
- Wrap fixture ground wire (bare copper) around the green grounding screw (see diagram 2). Tighten. Continue fixture ground wire and connect to supply ground wire (usually green or bare copper) using wire nut (A).
- Connect fixture neutral wire (ribbed) to the supply neutral wire (usually white) using wire nut (A).
- Connect fixture hot wire (smooth with markings) to the supply hot wire (usually black) using wire nut (A).

CAUTION: Do not reverse the hot and neutral connections.

ASSEMBLY INSTRUCTIONS



Bonnington Small Flush Mount

Item # ARN 4124

NOTICE:

This light fixture should be installed in accordance with all applicable, local installation codes, and by a person familiar with the construction and operation of it, as well as the hazards involved. Inspect item and contents carefully. If any damage or defect is found, do not install. Retain all packaging material until installation is complete and approved.

10. Make sure all wire connections are tight, then carefully tuck into the junction box.
11. Install fixture body (E) to mounting plate (B) and secure with threaded caps (F).
12. Install light bulbs into the sockets.
13. Attach rubber washers (L & N) to each side of diffuser (M) and secure to tube (K) with finial (O).

Care Instructions: Clean only with a soft dry cloth or feather duster. Do Not use abrasive or chemical agents.