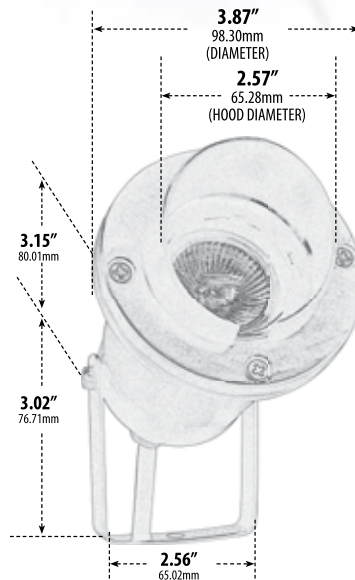


# LV109

## DIRECTIONAL SPOT LIGHT WITH HOOD



**P-SND-01  
TREE STAND**  
(Sold Separately)

- ▶ **Material:** Powder Coated Cast Aluminum
- ▶ **Lens:** Clear, Heat Resistant, Tempered Glass
- ▶ **Lamp:** MR16 Bi-Pin Base (50W Maximum)

MODEL NUMBER	LAMP TYPE	ILLUMINANT TYPE	WATTS (W)	VOLTS (V)	LAMP(S) INCLUDED?
LV109	MR16	HALOGEN	20	12	YES
LV-LED109	MR16-LED	3 LEDs	3	12	YES

Pre-wired with UL Listed Direct Burial Wire/Cable

- ▶ **Adjustable U-Shaped Bracket with Ground Spike**
- ▶ **P-SND-01 Tree Stand** (sold separately)
- ▶ **Connector Available:** P-CN01 (sold separately)
- ▶ **Available Finish:** Bronze, Green, Verde Green
- ▶ **ETL Approved**

Overall Dimensions: 7.00"H x 3.87"W x 5.50"D

Maximum Height: 8.00"

Minimum Height: 5.25"

Maximum Depth: 6.00"

Minimum Depth: 4.25"

Weight: 1.00 lbs

Approximate Wire Length: 17"

Box Dimensions: 8.75"H x 4.75"W x 4.00"D

**DABMAR**  
LIGHTING

DABMAR LIGHTING INCORPORATED

2140 Eastman Ave . Oxnard, CA 93030 . 805.604.9090 . f: 805.604.9050 . www.dabmar.com