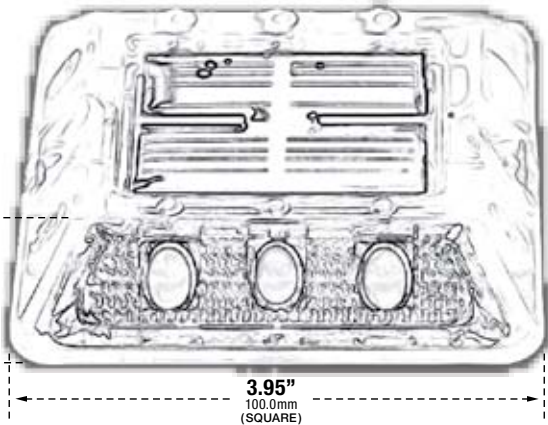


LV-LED01

SOLAR CHARGED ROAD SAFETY, WALKWAY LIGHT



- ▶ **Material:** Polycarbonate
- ▶ **Lens:** Clear Heat Resistant Plastic
- ▶ **Lamp:** Integral Blinking Superbright White LEDs
- ▶ **Available Finish:** Translucent Plastic
- ▶ **Rechargeable Ni-Cad batteries included (2)**
- ▶ **Surface Mount**
- ▶ **ETL Approval Pending**



MODEL NUMBER	LAMP TYPE	ILLUMINANT TYPE	WATTS (W)	VOLTS (V)	LAMP(S) INCLUDED?
LV-LED01	LED Board	6 LEDs	6	12	YES

DABMAR
LIGHTING

DABMAR LIGHTING INCORPORATED

2140 Eastman Ave . Oxnard, CA 93030 . 805.604.9090 . f: 805.604.9050 . www.dabmar.com